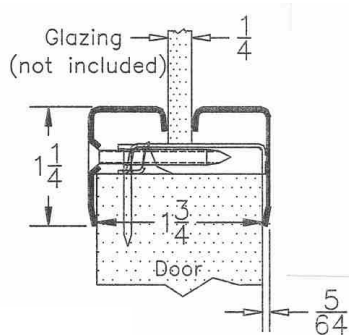


VISION KITS



No Glazing Compound, Tape or Intumescent is required for most label applications.
 -reduces cost
 -simplifies installation
 -improves appearance

MATERIAL:
 18 gage CRS frame is standard
 -33% thicker than 20 gage frames
 -maintains flat appearance

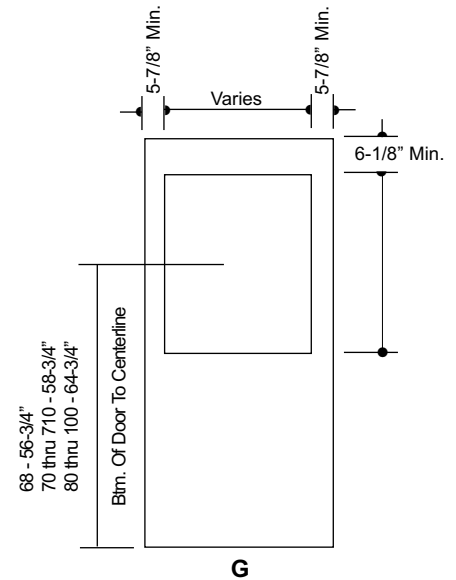
DIMENSIONS:
 Standard frame fits 1/4" glass and 1-3/4" door.

NARROW FACE FRAME:
 -better proportioned
 -visually appealing
 -suitable for wood, metal or mineral core doors

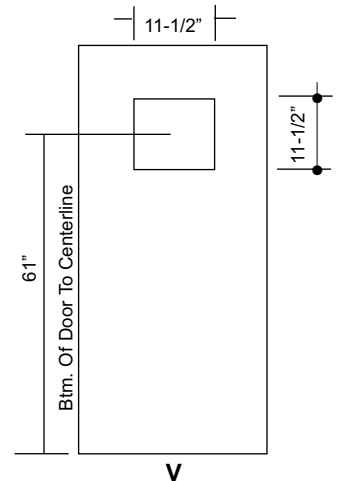
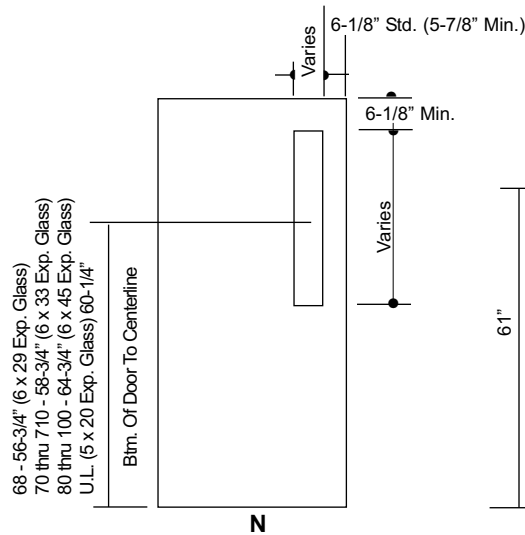
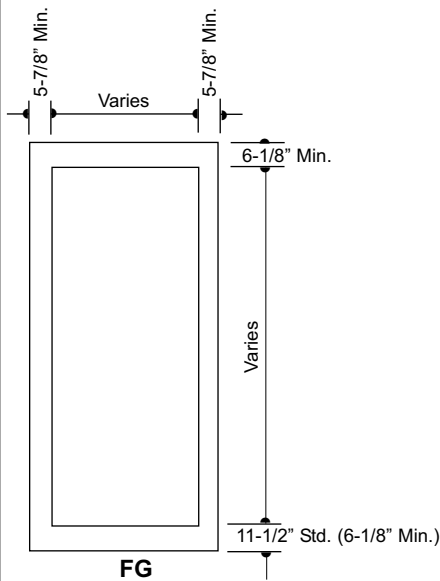
LOW PROFILE:
 -provides less interference for exit hardware

NAIL-IN FASTENING METHOD:
 -requires only one person to install
 -significantly reduces installation time
 -corridor side is fastener free, secure and attractive

ORDER INFORMATION
 ORDER SIZE - Inside dimension of frame (H+W)
 CUTOUT SIZE - Order Size + 1-1/2"
 GLASS SIZE - Order Size + 3/4"



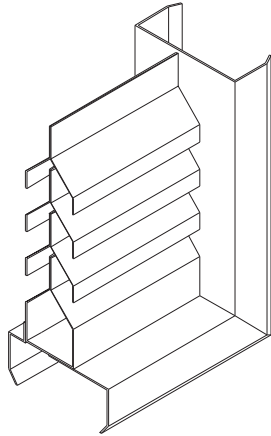
These dimensions are the actual cutout size, and the locations are figured using Republic's standard 3/4" undercut (floor clearance). Republic will position the glass kit cutouts in the same location from the finished floor regardless of the undercut unless otherwise specified.



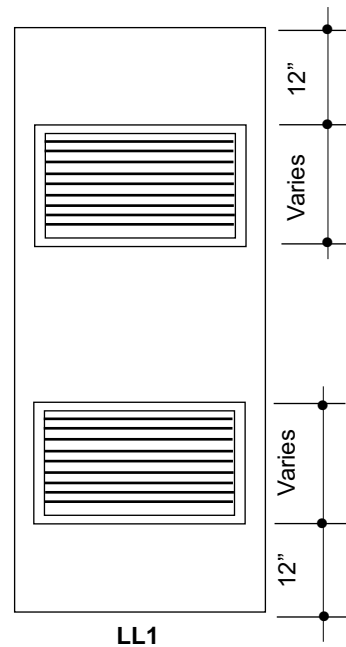
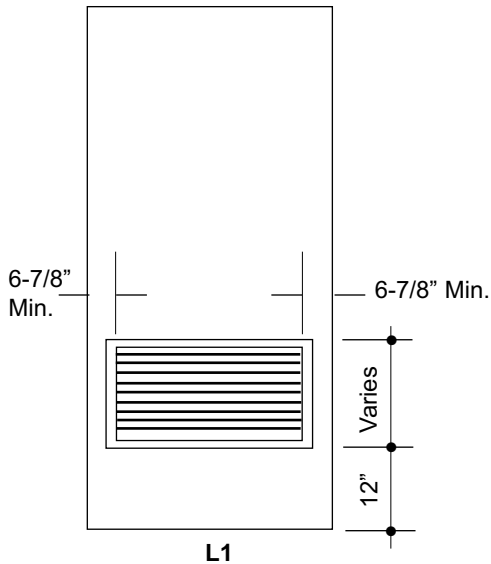
Revised 6/05



LOUVERS



Inverted "Y" Blade Louver
30% Free Air



Dimension's shown are actual dimension's to cutouts on door.

Revised 6/05