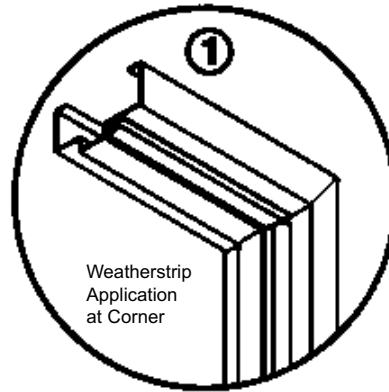
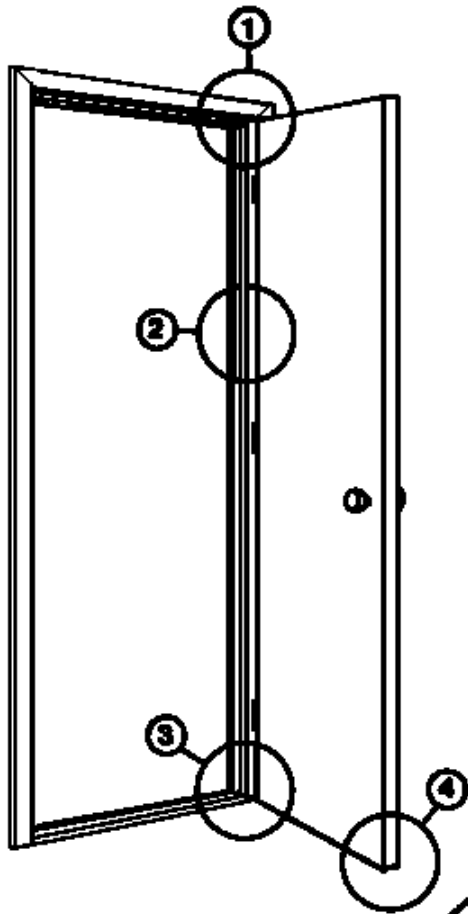
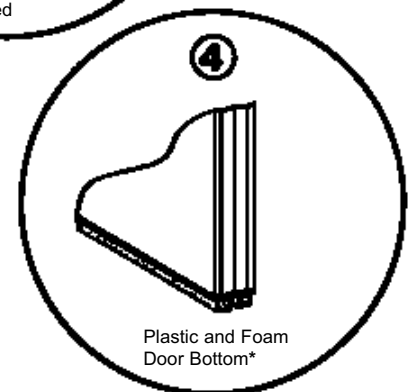
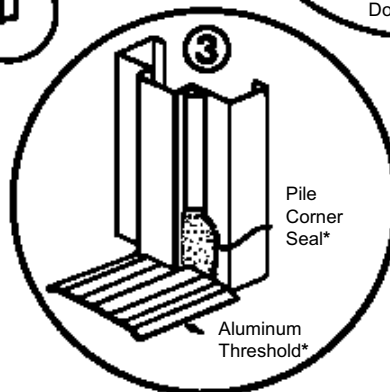
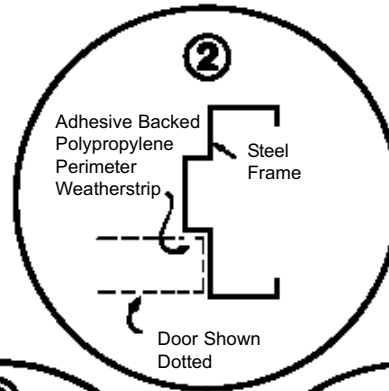


WEATHERSTRIPPING



NOTE:
See details on back of page.



Stock Part Numbers

- 3720400 - 3080 set
- 3720401 - 6080 set
- 3720402 - 8080 set

*Items not supplied by Republic.

Revised 6/05



TECHNICAL INFORMATION

The following tests were conducted at an independent testing laboratory with special threshold in accordance with SDI 115 for water leakage (ASTM E331-70) and SDI 116 for air infiltration (ASTM E283-68).

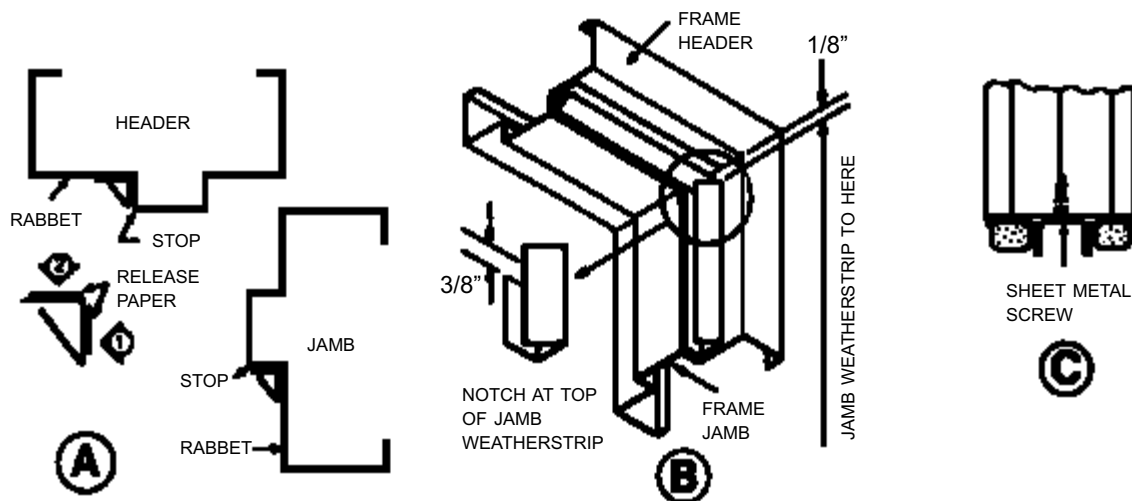
- Water leakage - the assembled door unit when tested at a static air pressure of 2.86 PSF (Equivalent to the pressure exerted by a wind velocity of 34mph) with water applied at a minimum rate of 5.0 gal. per sq. ft. per hour should not leak for the duration of a 15 minute test period.

Results of test - No leakage

- Air infiltration - the assembled door unit when tested at a static air pressure of 1.567 PSF should not leak more than 0.75 CFM per foot of crack length.

Results of test - 0.09 CFM per foot of crack length

INSTALLATION INSTRUCTIONS



1. Clean frame thoroughly.
2. Cut head weatherstrip with scissors to fit tight and square against rabbet of frame jamb.
3. Remove release paper from side ① only, position on stop of frame header and press firmly in place. (See detail "A"). Bend side ② forward, remove remaining release paper and press firmly in place.
4. Cut jamb weatherstrip 1/8" back from rabbet of frame header and notch side ① 3/8" (See detail "B"). Install from top to bottom as in step 3.
5. Attach door bottom to door with sheet metal screws (See detail "C").
6. CAUTION: The ideal temperature for applying weatherstripping is when the ambient and substrate temperatures are 69° F or above. Proper adhesion of weatherstrip can not be obtained if these temperatures are lower than 55° F.

Revised 6/05